



**Distribution System Balancing
Workshop 06/09/2016
Marcogaz – CEN/TC 234**

**Presentation on EN 16723-1:
injection of biomethane in the
natural gas grid**



EC mandate to CEN/TC 408 M/475



EUROPEAN COMMISSION
DIRECTORATE-GENERAL FOR ENERGY

Directorate C - New and renewable sources of energy, Energy efficiency & Innovation
C.2 - Energy Technologies and Research Coordination

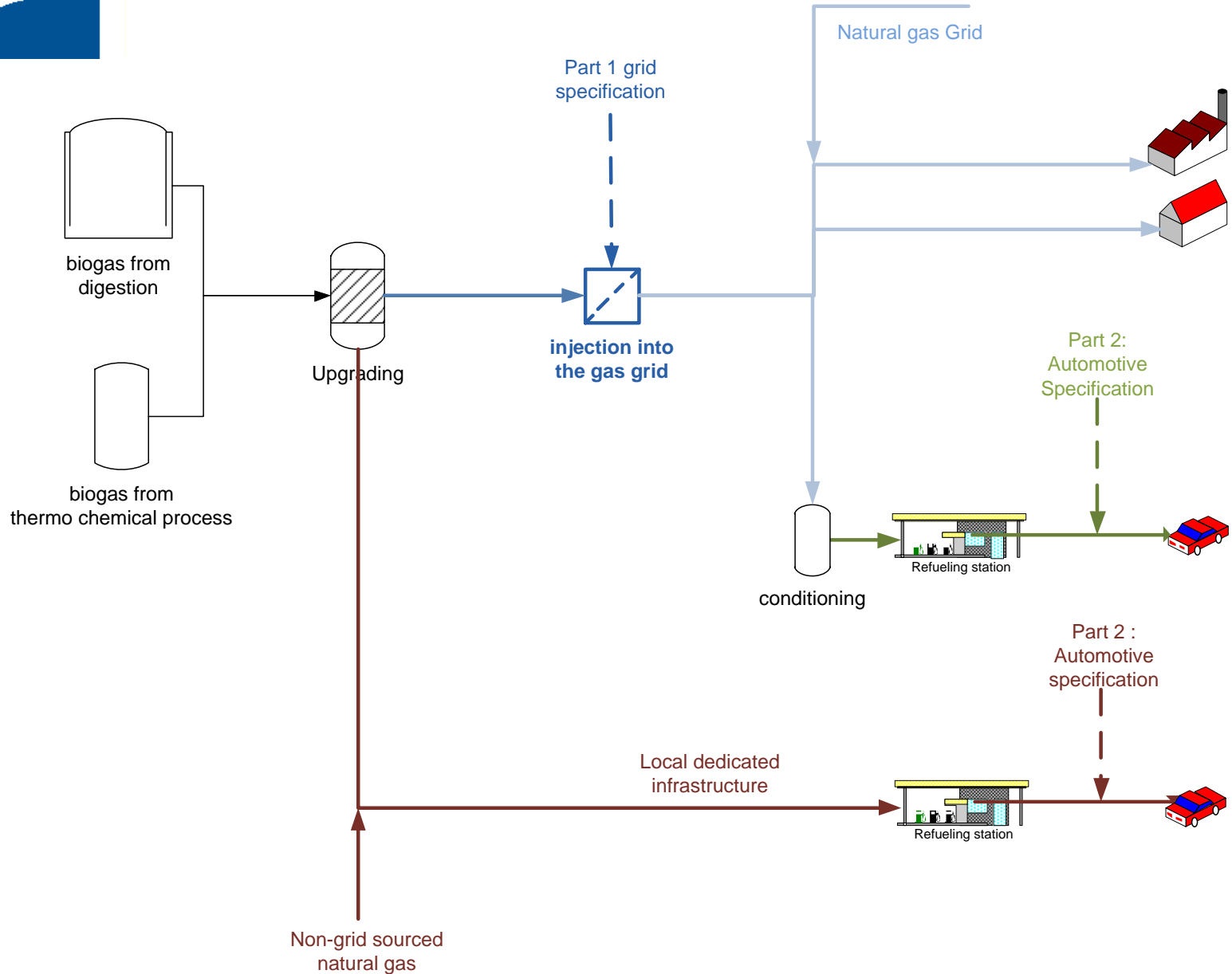
Brussels, 8th November 2010
M/475 EN

**MANDATE TO CEN FOR STANDARDS FOR BIOMETHANE FOR USE IN TRANSPORT AND
INJECTION IN NATURAL GAS PIPELINES**

- > **Stimulate the introduction of biomethane (renewable/security of supply)**
- > **EN for biomethane to be used as fuel for vehicle engines**
- > **EN for biomethane to be injected into the grid**
- > **Test methods for components: ISO/TC 193**
- > **Method to determine biomethane concentration in grid: CEN/TC 411**
- > **Common parameters addressed in EN 16726 for M/400**

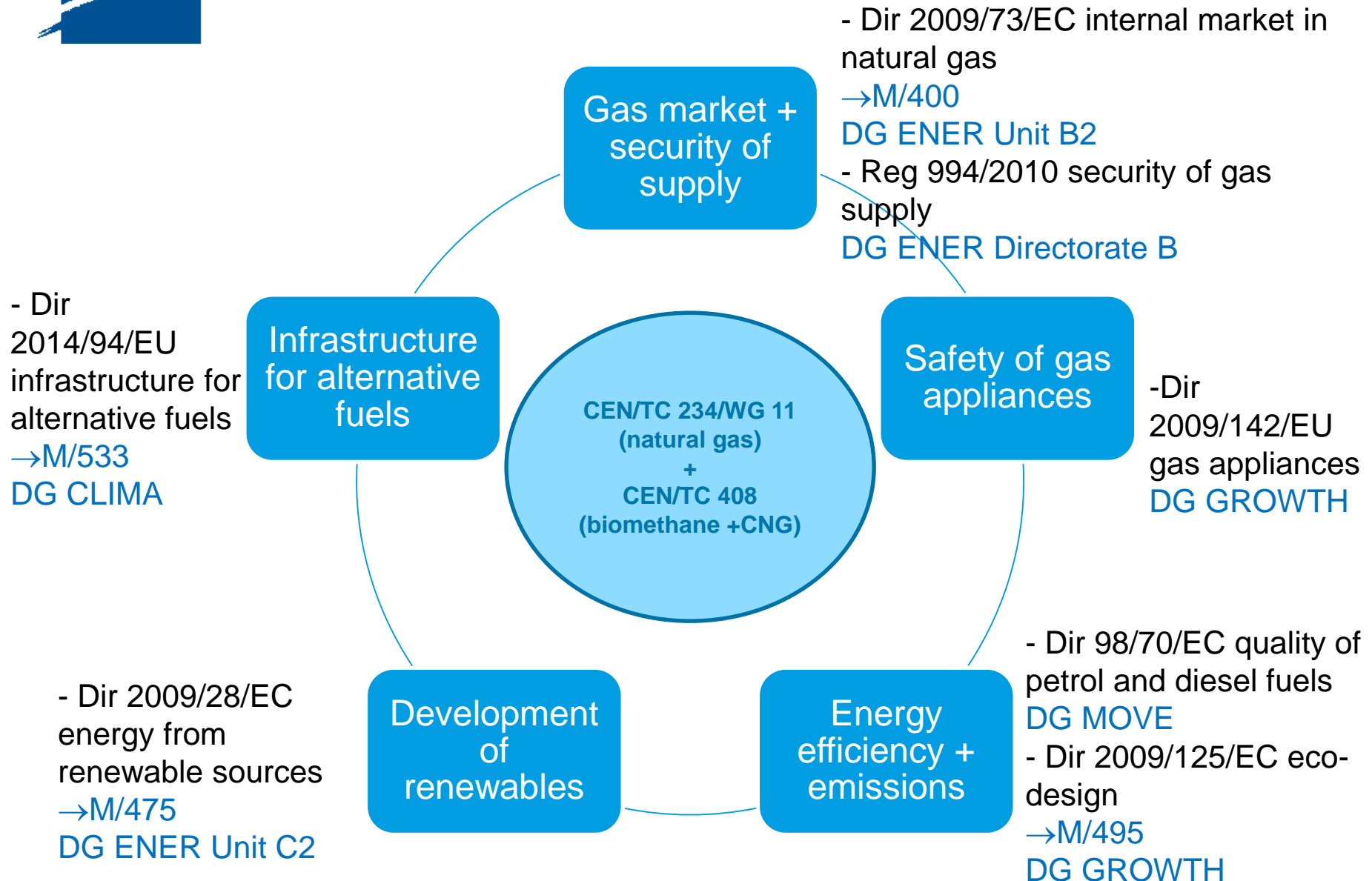


Scope CEN/TC 408





CEN/TC 408: involved DGs





CEN/TC 408: progress

- I) 16 meetings since 2011
- II) 30 participants from 12 countries (Austria, Belgium, Czech Republic, Denmark, France, Germany, Italy, Netherlands, Spain, Sweden, Switzerland, United Kingdom) and 8 partners (EBA, ENTSOG, NGVA Europe, GIE, AFECOR, EHI, Concawe, MARCOGAZ)
- III) prEN 16723-1: biomethane for injection
prEN 16723-2: biomethane and natural gas as fuel
- IV) Enquiries finished 08/14: 434 + 330 comments (133 pages)
51% and 37% approval (71% needed)
- V) Comments addressed in Oct/Dec 2014 and Jan/Sept 2015
- VI) Vote FprEN 16723-1 finished 08/16: 100% positive (19 votes)



Final consensus

Parameter	Unit	Limit values		Test method
		Min	Max	
Total volatile silicon (as Si)	mgSi/m ³		0,3 (pure) to 1 (diluted)	EN ISO 16017-1:2000 TDS-GC-MS
Compressor oil		free from impurities		ISO 8573-2:2007
Dust impurities		free from impurities		ISO 8573-4:2001
CO	% mol	–	0,1	EN ISO 6974 series
NH ₃	mg/m ³		10	NEN 2826:1999 or VDI 3496 Blatt 1:1982-04 NF X43-303:2011
Amine	mg/m ³		10	VDI 2467 Blatt 2:1991-08

- free from any other constituents or impurities if no quality adjustment or treatment needed
- Annexe C (informative) Examples of different compliance schemes



Next steps

- I) Publication
- II) Reference in network code? Other legislative text?
- III) Address missing values in EN 16726 (Wobbe Index and Sulfur)
- IV) Confirm or adapt test methods for biométhane
- V) Develop missing test methods (siloxanes)