



→ What does the reform mean to European gas standardisation?

View of the gas infrastructure sector

Claus Meyer,
Chairman of CEN/TC 234 „Gas infrastructure“ and
Rapporteur of Sector Forum Gas infrastructure

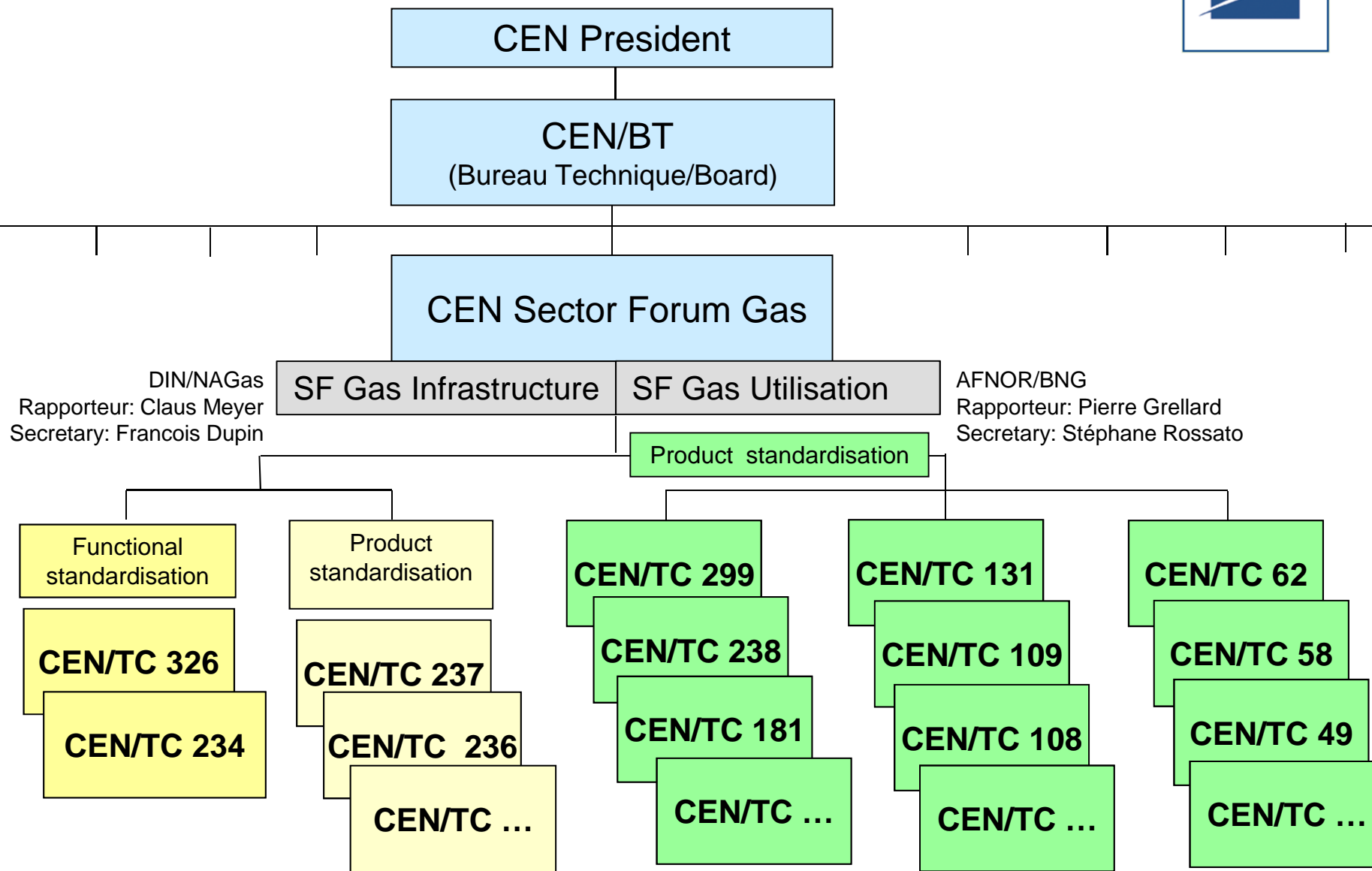
EFG 2012, Dresden, June 20th, 2012

Plan



- Who is doing the standardisation for the gas sector?
- Which challenges the gas infrastructure standardisation has to tackle?
- Which technical subjects are in the focus?
- How to shape the standardisation activities for the future?
- How to take advantage from the CEN reforms in the context of the EU policy on European standardisation?

Standardisation structure – Gas

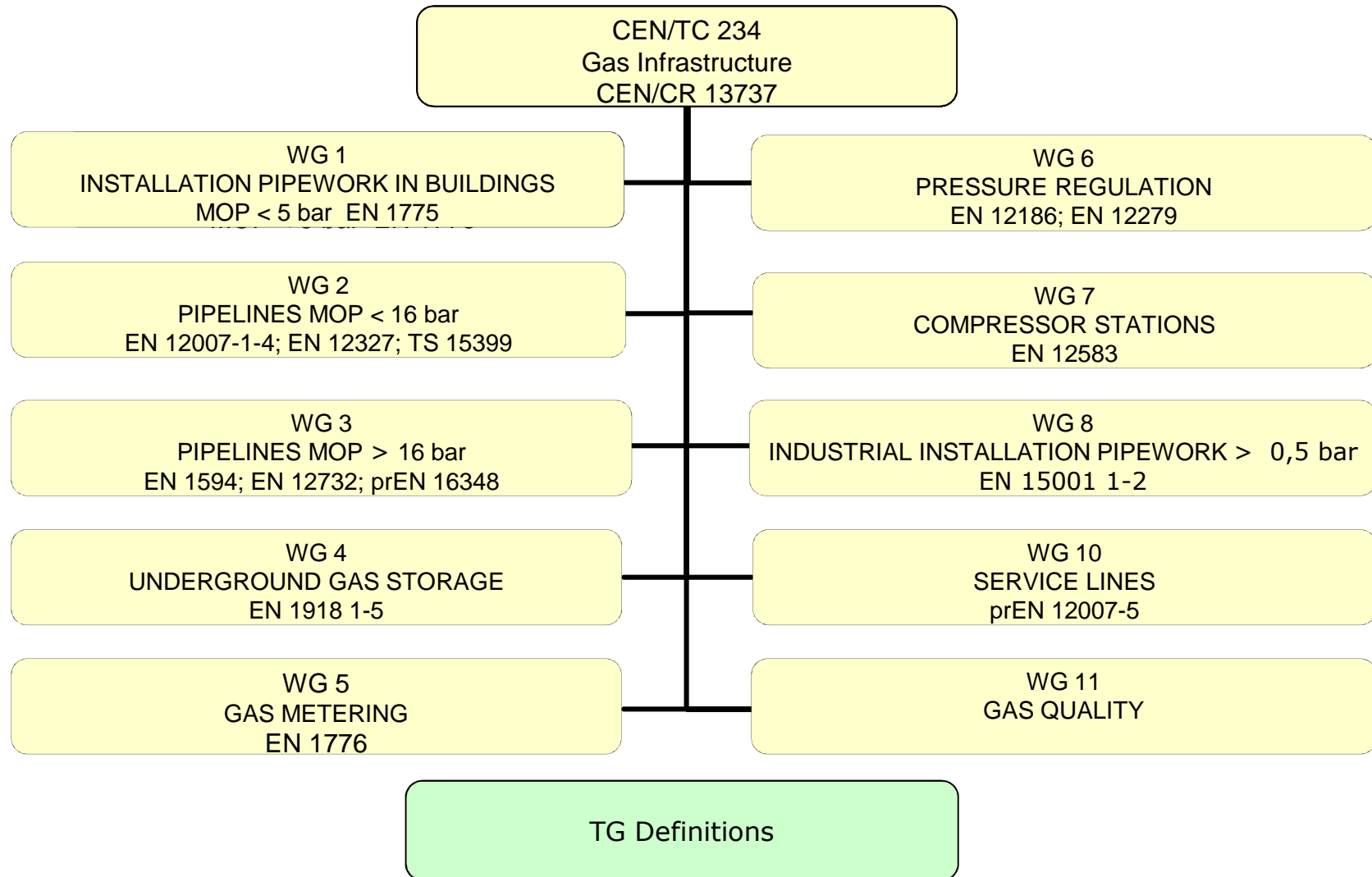




Sector Forum Gas

- Identification of standardisation need in the gas sector
- Definition of sector's standardisation strategy for all interested parties
- Presentation and support of the strategy within CEN/BT
- Analysis of EU directives and elaboration of guidelines for the TCs
- Provision of solutions for problems arising in standardisation work

CEN TC 234 Gas infrastructure





EU Policy on standardisation

COM (2011) 311 and COM (2011) 315

Extract of relevant objectives:

- Increasing the contribution of standards and European standardisation to a better functioning internal market
- Faster development of standards
- Adequate representation of SMEs and societal stakeholders
- Broaden the use of ICT standards ...
- Optimisation of global position of Europe
- Remove ambiguities in existing legal framework

EU Policy on standardisation



Realisation of objectives via:

- (Annual) standardisation work program, established and approved by EU COM
- Change of funding conditions
- Application of international standards (ISO, IEC, ...)
- Proactive role in international standardisation bodies
- More transparent co-operation of national standardisation bodies



What is the political/regulatory Situation of the gas sector?

- Growing European regulation by EU COM DG ENER
- Effects of implementation of 3rd energy directive package:
 - Unbundling of gas infrastructure
 - Change of responsibilities of companies and experts in restructured companies
- More player and growing networks in Europe (ACER, ENTSOG, European organisations, ESOs, bilateral)
- Further European and international trans-sectorial subjects (security, management systems)
- Individual national energy market regulation



EU Policy on standardisation – EU COM approved work program

Challenge or advantage?

- intensified co-operation between CEN/TC 234 and EU COM
- more EU mandates
- precise provisions for EU COM requested standardisation
- Potential funding of supporting technical expertise/studies
- growing heteronomy



EU Policy on standardisation – Change of funding conditions

- Funding will depend on fulfilment of performance criteria and meeting of objectives:
- priorities defined in EU work program
 - adequate representation of stakeholders
 - quality and relevance of standards produced
 - timeliness (speed up to 50% average time by 2020)
 - use of synergy effects CEN/CENELEC/ETSI
 - optimisation of ESO internal processes



Gas standardisation in CEN/TC 234

Self-motivated approach

- continuous standardisation of all relevant technical issues of gas infrastructure since 20 years
- continuous liaison work with CEN and ISO Technical Committees and external organisations to ensure coherence in the standards' system
- self-motivated evaluation of 3rd energy directive package (2009/73/EC) identifying and implementing resulting technical requirements in existing CEN/TC 234 standards

CEN TC 234 Evaluation of European Standards in the context of the EU energy package



12 generic areas from 3rd package

European Standards within the scope of CEN/TC 234

EN	EN 12186	EN 12279	prEN 12061	prEN 12007-1	prEN 12007-2	SMS-PMMS (merger TS 1973/1974)		EN 1584		EN 1776:1998 (new draft covering all areas in preparation)		EN 12186		EN 12279		prEN 12061		prEN 12007-1		prEN 12007-2		
						Number of clause in published standard	Proposal of addition or amendment	Number of clause in published standard	Proposal of addition or amendment	Number of clause in published standard	Proposal of addition or amendment	Number of clause in published standard	Proposal of addition or amendment	Number of clause in published standard	Proposal of addition or amendment	Number of clause in published standard	Proposal of addition or amendment	Number of clause in published standard	Proposal of addition or amendment	Number of clause in published standard	Proposal of addition or amendment	Number of clause in published standard
1	Network security & reliability rules	yes																				
2	Emergency planning by the operator (TSO) meant as emergency response organization including standby for gas infrastructure in case of malfunction or damage to gas infrastructure (interruption of supply, uncontrolled release/escape of natural gas, e.g. leaks)	yes	Also covered in new SMS-PMMS Consultation of EC Directive	4.4.7																		
3	Prevention or quick recovery of the normal function of the gas system in case of malfunction, damage, natural catastrophes, third party interference and/or public infrastructure failure	yes	This is not in the current scope of SMS-PMMS. However the Emergency Planning (see 4.1) covers some of the mentioned items (malfunction, third party interference) and can support the management of other situations (natural catastrophes, TP).	10.2.2 Pipeline and functional safety activities	10.2.2	10.2.2	10.2.2	10.2.2	10.2.2	10.2.2	10.2.2	10.2.2	10.2.2	10.2.2	10.2.2	10.2.2	10.2.2	10.2.2	10.2.2	10.2.2	10.2.2	10.2.2
4	Any incidents of emergency response not covered by 4.2.4 and 4.2.5	yes	None																			
5	Technical safety measures in case of (public) infrastructure failure (as e.g. dealt with in ISO TC 223/CEN/TC 331)	yes	TC223/TC 331 on security (protection against malicious acts) is intended to be in the scope of SMS-PMMS standard.																			
6	Emergency planning at national level (related to security of supply)	no	CEN/TC Working paper (Dubois)																			
7	Safety management system (incl. integrity)	yes	Section 4 (SMS), Section 6 (PMMS)	4	Quality and management systems	To be considered that an Safety Management System should be in place. Make reference to the EN standard on Safety Management.	4.7 Safety	4.8	Quality system													
8	Resilience of the gas network (in terms of capability of the gas system: Assured technical/verdraagbaar)	no	Can be issue at a later stage of regulation																			
9	Information on maintenance e.g. to the customer on planned maintenance (duration of flexibility and availability of network and others)	no	Could be an issue requested by the authorities or ENTSOE																			
10	Technical reliability of the network/infrastructure (component related, including safety) e.g.	yes	4.1																			
11	Design, construction	yes	4.4.2 Design 4.4.3 Construction	According to the above invitation the TSO shall establish and maintain procedures for the management and control of the design of new infrastructures and of modifications of the existing ones, assuring that safety and reliability requirements are met	7.1.1 General/Design principles	To add text on the reliability aspects in design and construction	7	Design and construction														



3 pages follow



Gas standardisation in CEN/TC 234

Co-operation with EU COM DG ENER

- continuous exchange with EU COM DG ENER
- representation of CEN at Madrid Forum
- EU requested M/400 on European harmonisation of Gas quality (Type H)
- liaisons with external organisations (ACER, ENTSOG, European organisations)

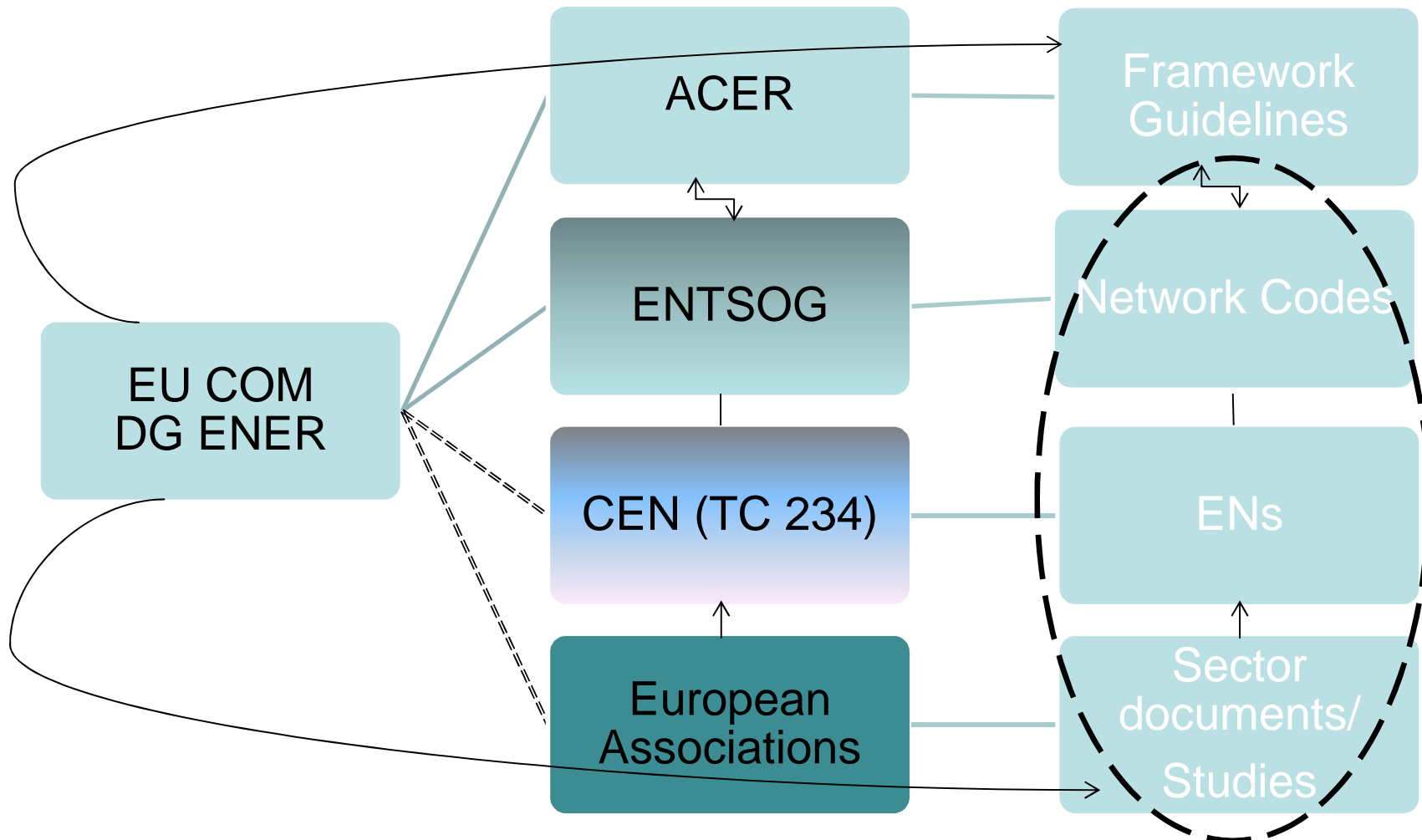
EU COM DG ENER approach of regulation

Example: Roadmap on gas quality

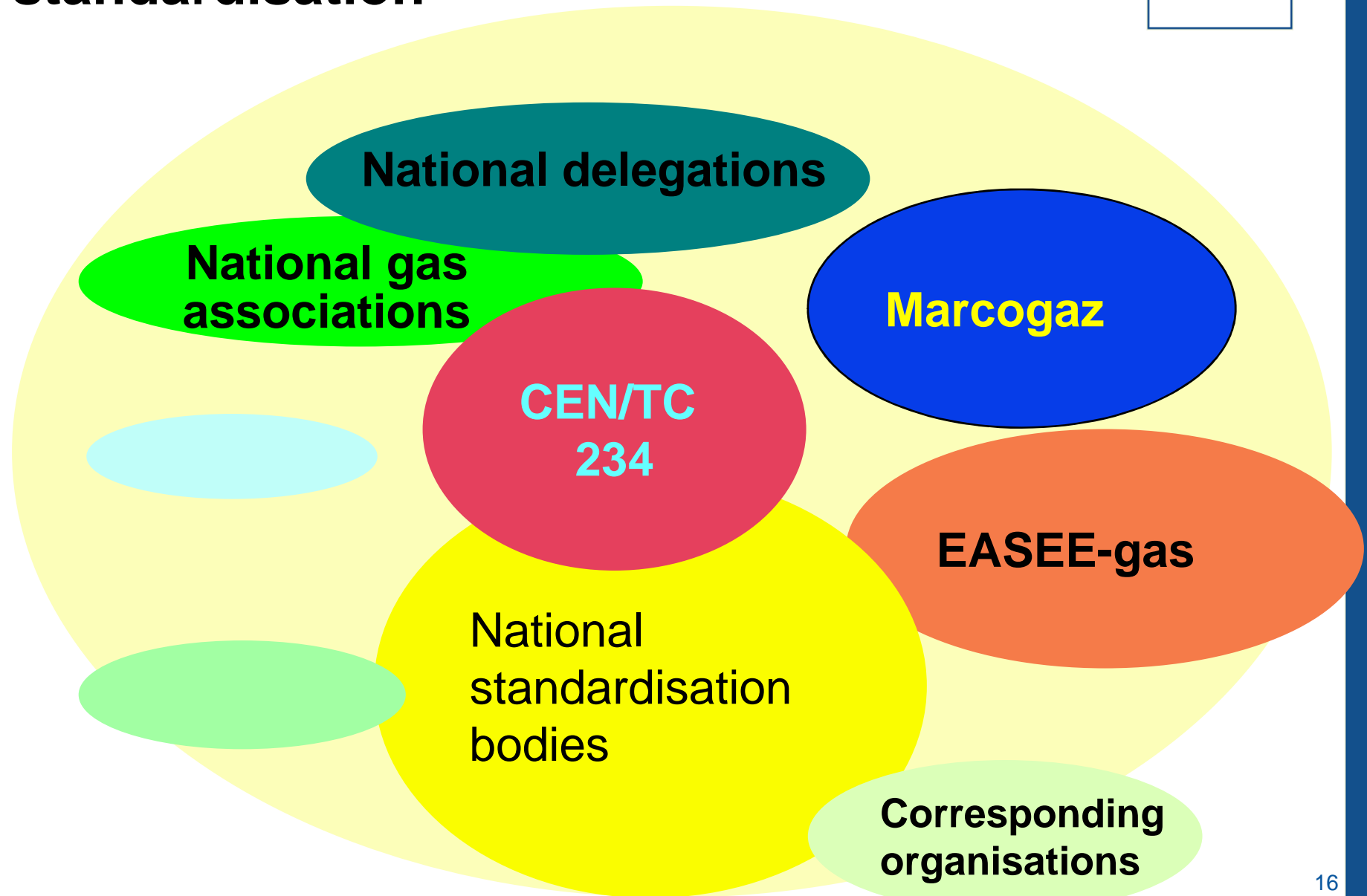


- Roadmap shows the way forward to identify the best solution enabling EU Member States to face gas quality challenges:
- Continuation of European standardisation (M/400)
 - Parallel pilot process aimed at assessing and addressing the practical implementation of the H-Gas standard in a selected group of Member States (Marcogaz/EASEE-gas)
 - Development of binding European rules (in the context of a network code) (responsibilities, real-time information.....)

EU COM DG ENER approach of regulation: Example Gas quality



Input of European organisation in gas standardisation

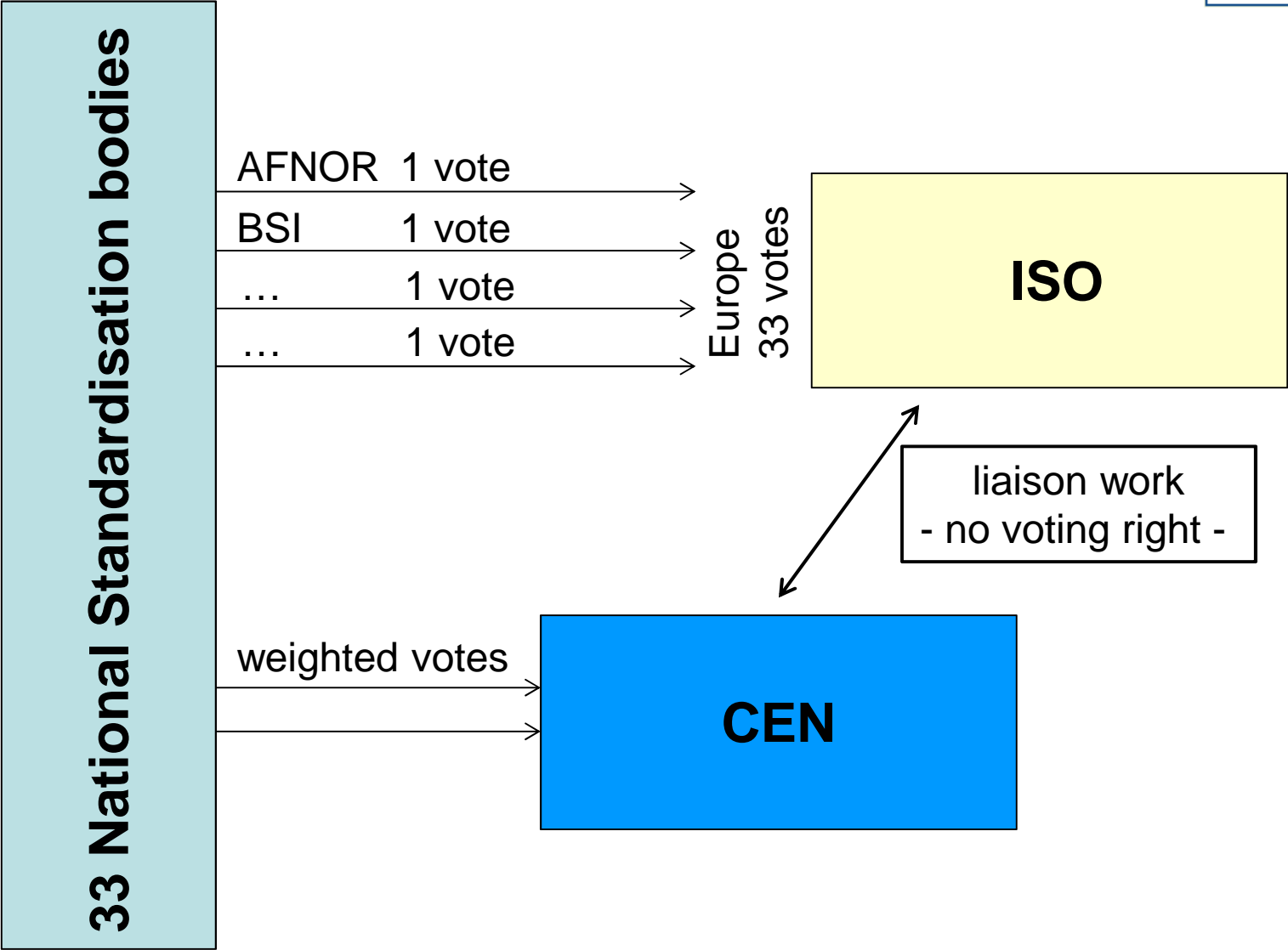




EU Policy on standardisation – Optimisation of global position

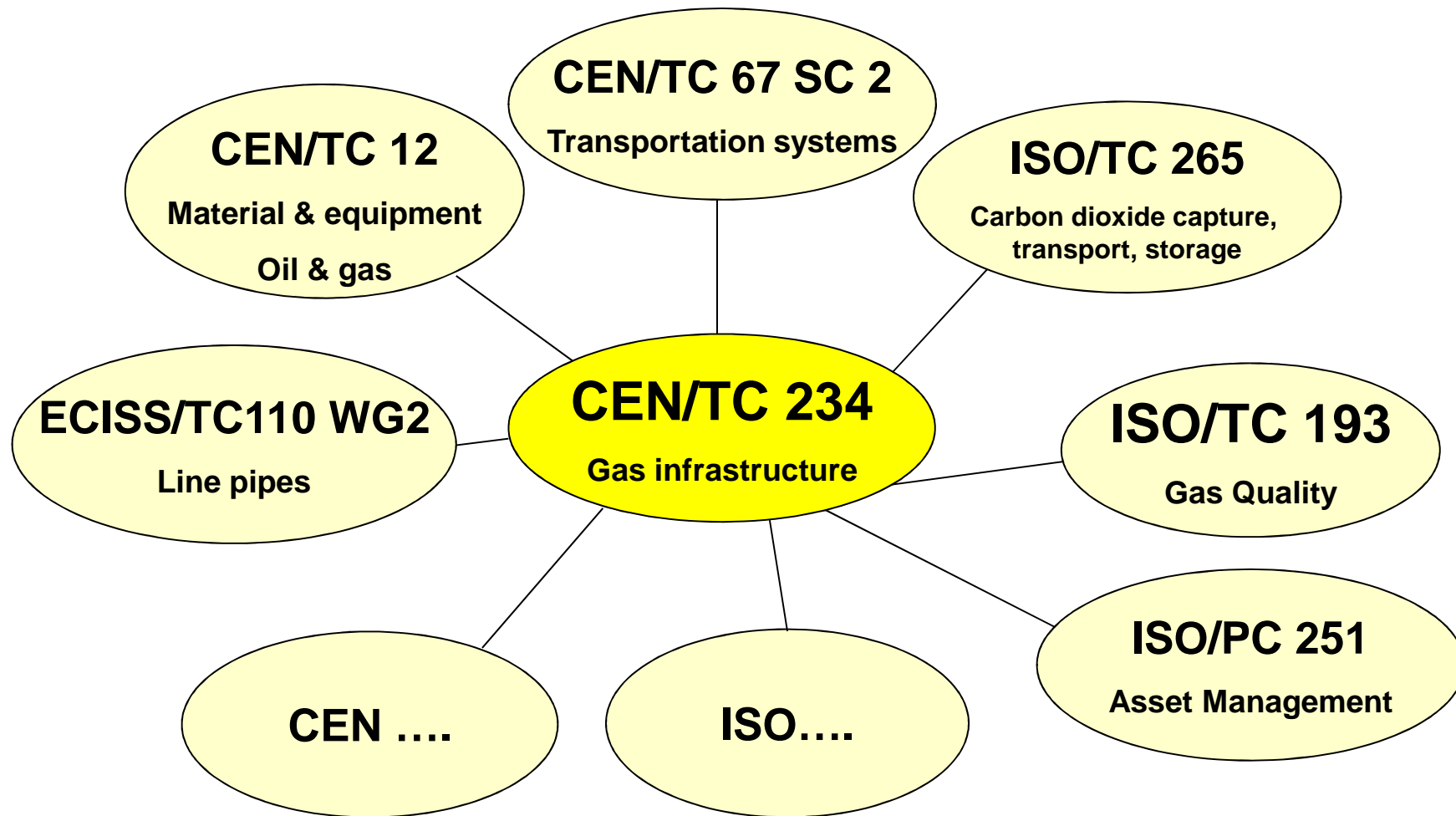
- preference to international standards (ISO, IEC, ITU): EN only where no international standards or not appropriate for EU regulatory/policy objectives
- increase of convergence: ENs basing upon international standards
- documentation of reasons for deviations of ENs from existing international standards
- European proposals where Europe is a global leader
- More mechanisms for joint standards' preparation
- Monitoring of European performance in international standardisation with annual report to EU COM by ESOs

ISO standardisation



ISO standardisation

Use of CEN/ISO TC liaisons





Well prepared for EU COM vision on European standardisation?!

- **Yes!**CEN/TC 234 – representing the sector of European gas infrastructure:
 - provides the structure to tackle the challenges;
 - keeps a functioning network within CEN and also with the relevant European gas associations;
 - established a constructive co-operation with EU COM DG ENER and ACER.

- **What remains to do?**
 - insurance of the necessary man power from the gas industries despite of cost restrictions and reorganisation in companies!
 - intensification of the liaison work with ISO!



**Thanks for your attention
and
for your support of European gas standardisation!**

Claus Meyer

CEN/TC 234 Chairman
SFGas infrastructure Rapporteur

claus.meyer@open-grid-europe.com

Phone: +49 201 364218800